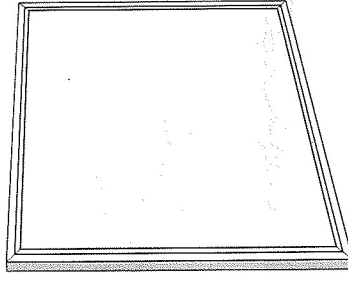


Warnings

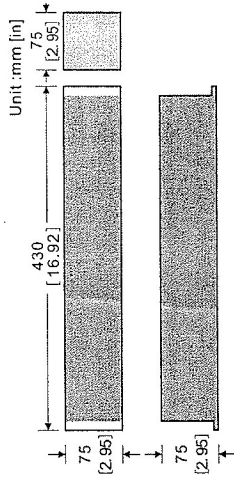
- This unit must be installed by professional electrician.
- IP20 Indoor use only
- Switch off supply at Installations
- Do not modify unit in any form
- This unit can also be Surface mounted with PNLSM2 Surface Kit
- 3 hours maintained Emergency units available as option, PNLEM2
- Mains must only be connected to power supply unit.
- Panellight must be connected to s power supply unit supplied together.
- Powerdrivers must not be placed directly on top of lighting panel.
- Mains supply 220v-240v non dimmable .
- Power drivers must not be mounted directly on top of panellight.

Deltechuk.com WARRANTY (U.K)

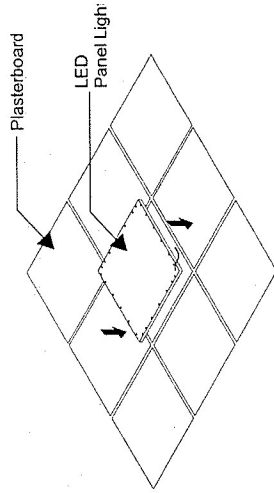
3 Years Warranty from Date of purchase. Any Deltech Product failing through defects in materials or workmanship will be replaced. Consumer's statutory rights excepted. Deltech accepts no Liability for consequential loss howsoever caused.



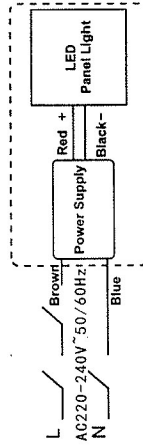
PNLEM2 60W 3hr maintained Emergency unit



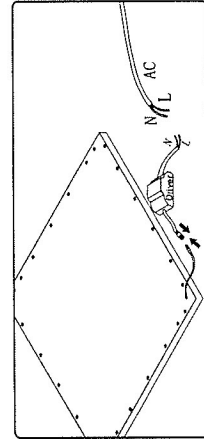
General Recessed Installation



CONNECTIONS



Connect power supply to electric supply prior to installation illustrated as below.

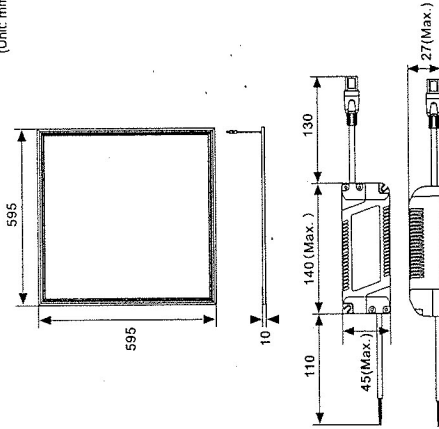


Model No. & Parameters

600x600mm Series Panel Light	
Model No.	PNL245DL/PNL245CW/PNL245WW
Rated Voltage	AC220-240V 50/60Hz
Rated Power	45W
Operating Temp(°C[°F]):	-10--+45 [-14--+113]
Storage Temp (°C[°F]):	-20--+60 [-13--+140]
IP Grade:	IP20

Profile

(Unit: mm)



Optional Accessories

PNLSM2 Surface mounting Kit

Unit: mm (in)

