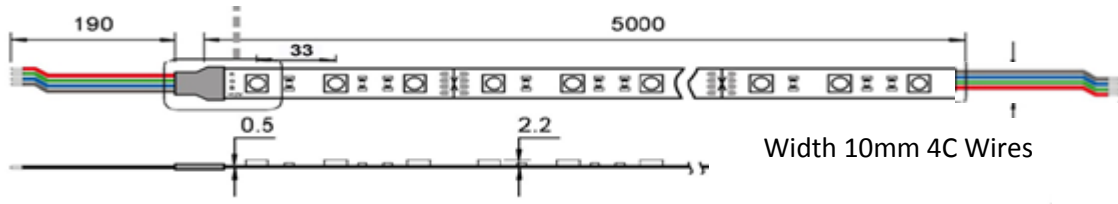


LED Strips Connections



LST65RGB

Colour Changing. 5m Roll Flexi LED Strip 12V 30LED/M 490lm/M IP65 RGB 120° **7.2W/M**



Further Data:

Part Number	Dimension	LED Type	LEDs / Metre	Power (W/meter)	Operating Voltage	IP Rating	Lumens per Meter
LST65RGB	5M (L) x 10mm(W)	SMD5050	30	7.2 W	12V	IP65	490LM

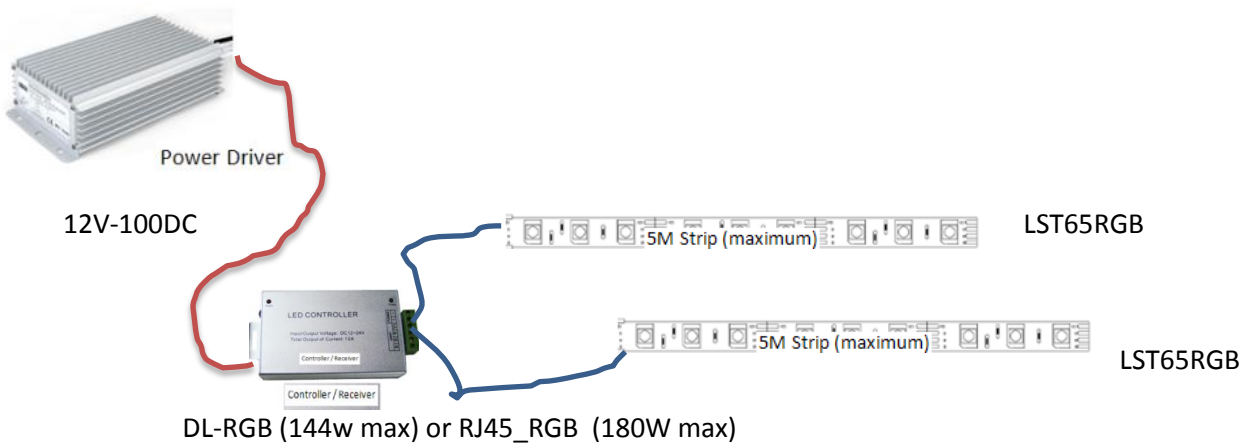
Work out the power required. For LST65RGB 7.2W

LED strips can only be wired in series up to a Maximum of 5 Metre Length

If individual runs exceed 5M, they must be wired in Parallel in multiples of 5 Metre lengths.

Colour Changing Strips

10M LST65RGB Using either DL-RGB or RJ45-RGB controllers

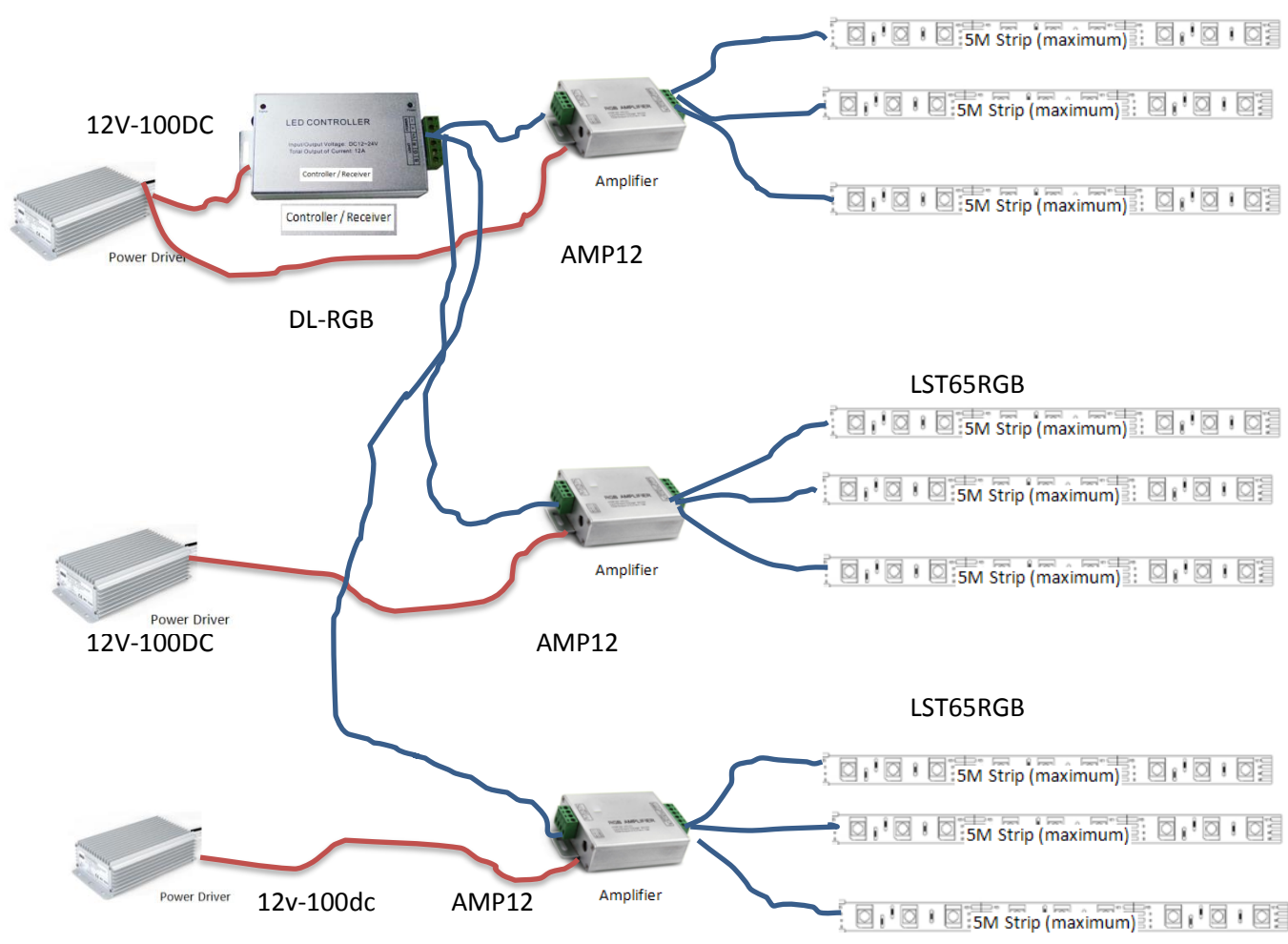


Signal Cables could be combined into one Cat5/Cat6 cable, but amount of wires must doubled



45M Using DI-Rgb Controllers (144W max.)

LST65RGB



45M Using RJ45-RGB (180W max) controller . Full synchronisation with RJ45 network cable

