
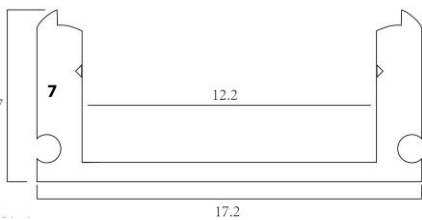
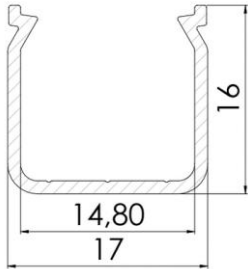
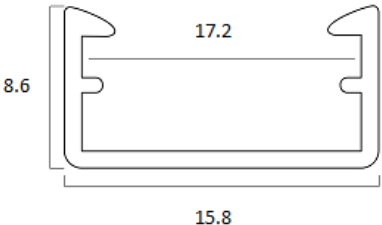
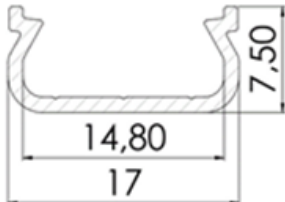


# DELTECH ALUMINIUM PROFILES


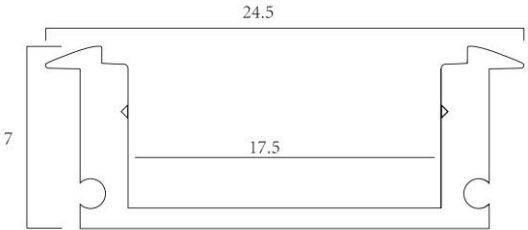
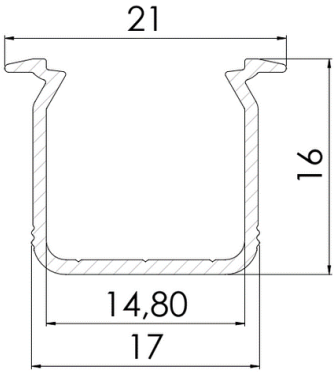
<p><b>SURFACE RECESS PLASTERBOARD 45 °CORNER</b>                  Anodized Aluminium /                  White lacquered Finish                  1 M / 2M / 3M Lengths                  Rigid Construction</p>	
---	--

## SURFACE MOUNTED PROFILES

 <p><b>LS-PRO</b></p>	 <p><b>LST-PRO</b></p>	 <p><b>LST-PROD2M</b></p>
 <p><b>LST-PRO15</b></p>	 <p><b>LST-PRO 2M / 3M</b></p>	

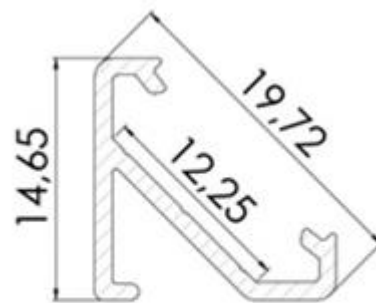
<b>PART REF</b>	<b>FINISH</b>	<b>Length mm</b>	<b>Width mm</b>	<b>Height mm</b>	<b>Internal Width</b>	<b>Supplied with</b>	<b>SALES Qty</b>
LST-PRO	Silver Anodized	1M	17.2	7	12.2	Opal PC Diffuser + 2x Brackets + 2x Endcaps	1/100
LST-PRO15	Silver Anodized	1M	17.2	8.6	15.8	Opal PC Diffuser + 2x Brackets + 2x Endcaps	1/100
LST-PRO2M	Silver Anodized	2M	17	7.5	14.8	Opal PMM Diffuser + 4x Brackets + 4x Endcaps	20
LST-PROD2M	Silver Anodized	2M	17	16	14.8	Opal PMM Diffuser + 4x Brackets + 4x Endcaps	20
LST-PRO3M	Silver Anodized	3M	17	7.5	14.8	Opal PMM Diffuser + 6x Brackets + 6x Endcaps	20

# RECESS PROFILES

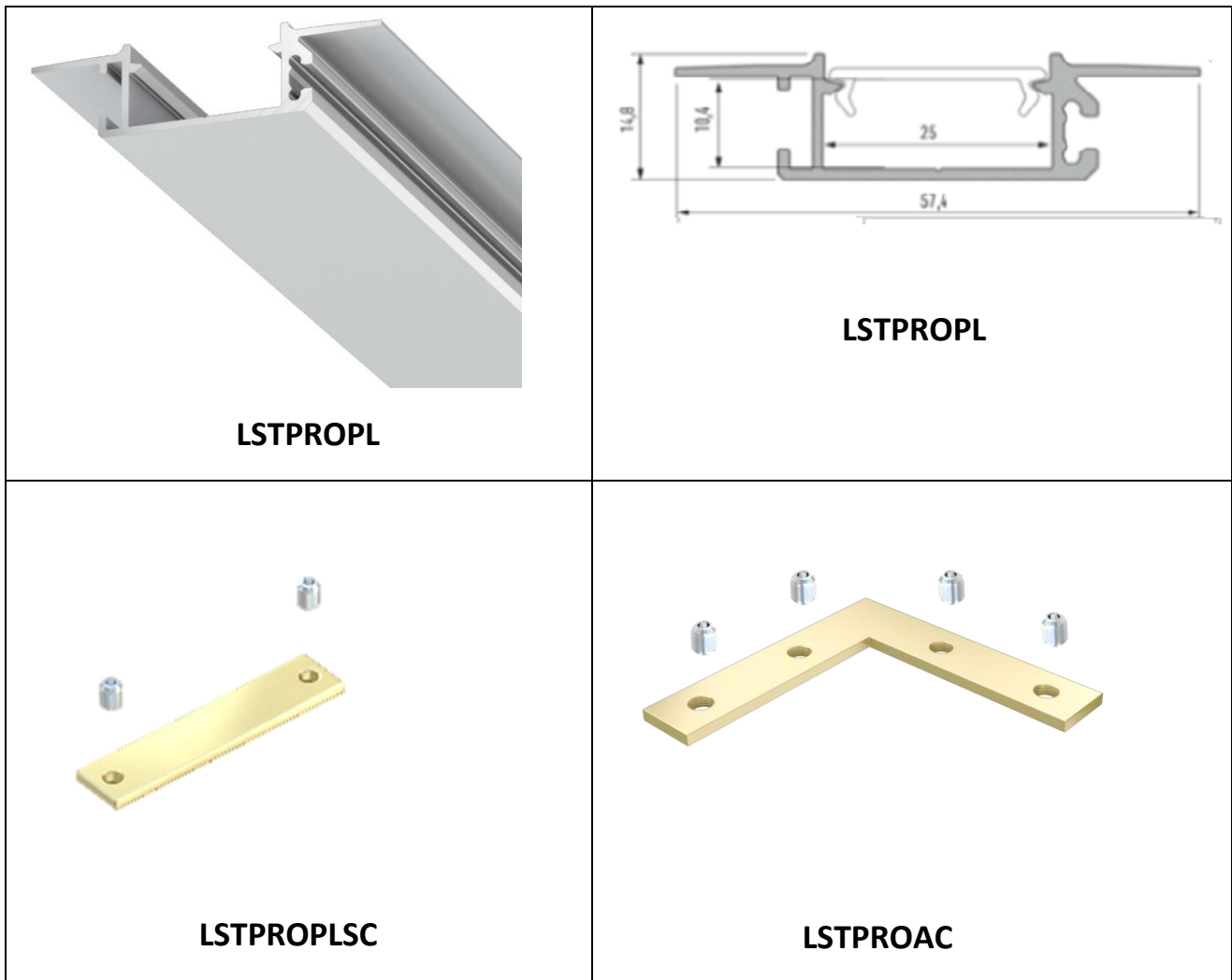
 <p><b>LST-PROR</b></p>	 <p><b>LST-PROR</b></p>
 <p><b>LST-PRORD2M</b></p>	

<b>PART REF</b>	<b>FINISH</b>	<b>Length mm</b>	<b>Width mm</b>	<b>Height mm</b>	<b>Internal Width</b>	<b>Supplied with</b>	<b>SALES Qty</b>
LST-PROR	Silver Anodized	1M	24.5 / 17.5	7	12.2	Opal PC Diffuser + 2x Brackets + 2x Endcaps	1/100
LST-PRORW2M	WHITE LAQUER	2M	21 / 17	7.5	14.8	Opal PMM Diffuser + 4x Endcaps	20
LST-PRORD2M	Silver Anodized	2M	21 / 17	16	14.8	Opal PMM Diffuser + 4x Endcaps	20
LST-PRORW3M	WHITE LAQUER	3M	21 / 17	7.5	14.8	Opal PMM Diffuser + 6x Endcaps	20

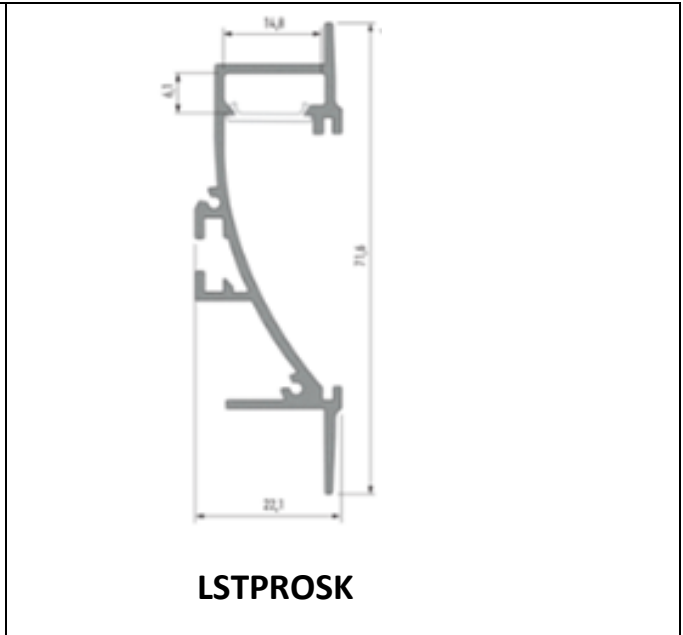
<b>Corner PROFILES</b>							
<b>PART REF</b>	<b>FINISH</b>	<b>Length mm</b>	<b>Width mm</b>	<b>Height mm</b>	<b>Internal /Ext. Width</b>	<b>Supplied with</b>	<b>SALES Qty</b>
LST-PROC	Silver Anodized	1M	13.2	14.65	12.25 / 19.72	Opal PC Diffuser + 2x Brackets + 2x Endcaps	20
LST-PROC2M	Silver Anodized	2M	13.2	14.65	12.25 / 19.72	Opal PMM Diffuser + 4x Brackets + 4x Endcaps	20
LST-PROC3M	Silver Anodized	3M	13.2	14.65	12.25 / 19.72	Opal PMM Diffuser + 6x Brackets + 6x Endcaps	20



**LST-PROC**



INSET PLASTERBOARD							
PART REF	FINISH	Length mm	Width mm	Height mm	Internal /Ext. Width	Supplied with	SALES Qty
LST-PROPL2M	Silver Anodized	2	57.4	10.4	25MM	Opal PC Diffuser.	20
LST-PROPL3M	Silver Anodized	3	57.4	10.4	25MM	Opal PC Diffuser.	20
<b>OPTIONAL ACCESSORIES</b>							
LST-PROPLSC	Straight Connector Set for LST-PROPL 2M/3M						1
LST-PROPLAC	Angular Connector Set for LST-PROPL 2M/3M						1
LST-PROPLECR	Alum. End Cap Right FOR LST-PROPL PLASTERBOARD PROFILE						1
LST-PROPLECL	Alum. End Cap LEFT FOR LST-PROPL PLASTERBOARD PROFILE						1



INSET PLATERBOARD INNER Curved Side lit Profiles							
PART REF	FINISH	Length mm	Width mm	Height mm	Internal Width	Supplied with	SALES Qty
LST-PROSK2M	Silver Anodized	2M	22.1	71.6	14.8	OPAL PC DIFFUSER	20
LST-PROSK3M	Silver Anodized	3M	22.1	71.6	14.8	OPAL PC DIFFUSER	20

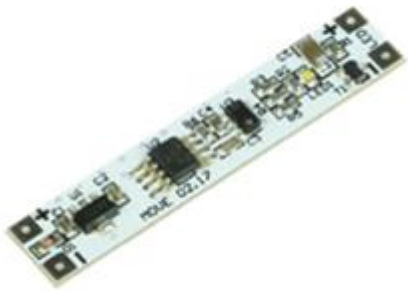
<b>OPTIONAL ACCESSORIES</b>		
LST-PROPLECR	Alum. End Cap Right FOR LST-PROSK INNER CURVED PROFILE	1
LST-PROPLECL	Alum. End Cap LEFT FOR LST-PROSK INNER CURVED PROFILE	1

### Sample Packs

LST-PROSP	Alum. End Cap Right FOR LST-PROSK INNER CURVED PROFILE	1
-----------	--	---

### Touchless Switch Dimmer unit

LST-PROTLS	PROFILE TOUCHLESS DIMMER SWITCH PWM 12/24V 3/5A	1
------------	---	---



**LSTPROTLS**